



Cassette awning

markilux 990

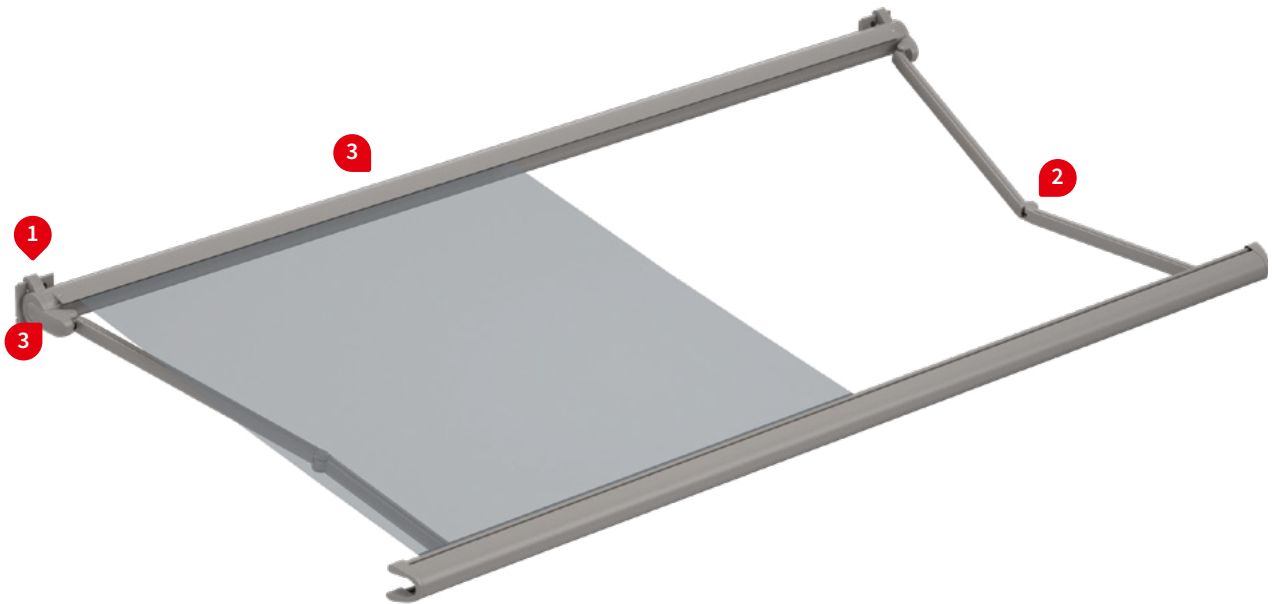
The most compact markilux with folding arms – svelte, attractive and functional.

Product characteristics

Wind resistance class 2

Beaufort 5 → 7.5–10.4 m/s → 28–37 km/h → 17–23 mph

01
02
03
04
05
06
07
08



09

10
11
12
13
14
15
16
17

1 face fixture



1 face fixture, maximum pitch of 35°



1 top fixture



1 top fixture, view from the rear



2 twin steel-link chain, corrosion protected



2 bionic tendon made of high-tech fibres for optimum power transference 1)



1) during extension



3 wall sealing profile 1), cassette end cap in polished chrome



1) optional accessory

Product characteristics

Description

- the perfectly designed compact cassette awning. The outstanding “lightweight” for balcony and patio

Special features

- self-supporting cassette profile construction, the brackets being installed at each end of the awning – also suitable for bridging larger distances
- cassette with arms situated in front and at each end, which – when the awning is closed – are encompassed fully by the front profile and which lends an harmonious overall appearance to the awning
- even when the awning is fully extended, the roller tube is completely protected

Dimensions

- cassette in the standard version: depth 217 mm, height 124 mm
- single unit: minimum width 179 cm at the smallest projection of 150 cm, maximum width 500 cm at the largest projection of 300 cm

Roller tube and lateral arm bearers

- round roller tube Ø 85 mm with keyway, galvanised steel – excellent stability, ensures near perfect cover performance even at the largest widths
- the arm bearer is made of die-cast aluminium, powder coated, with integrated, infinitely variable pitch setting mechanism

Awning profiles

- extruded aluminium, in façade quality, powder coated
- cassette in two parts
- semi-circular front profile with integrated gutter

Folding arms

- profiles in extruded aluminium, in façade quality, powder coated
- moving parts made of drop-forged aluminium – the arms are therefore extremely fracture resistant
- pivot bolts in stainless steel run in Teflon-coated bronze bushes – practically maintenance free, virtually silent and extremely hard-wearing
- power transference via corrosion-protected twin steel-link chains at the elbow joint, optionally with innovative bionic tendon made of high tensile, high-tech fibre – low in friction, noiseless, insensitive to corrosion and UV resistant

Side caps

- the cassette insert sections are made of high-quality plastic, powder coated or in a polished chrome finish
- the front profile end caps are made of high-quality plastic, powder coated, with drainage holes

Fixture brackets

- face fixture, top fixture, eaves fixture
- extruded aluminium, powder coated
- available in intermediate widths made to order (on request)
- pitch range 5°–35° (face fixture) or 5°–70° (top or eaves fixture), infinitely variable
- spacer plates, stand-off brackets and other accessories are available

01

02

03

04

05

06

07

08

09

10

11

12

13

14

15

16

17

01 **Frame and end cap colours**

markilux frame colours without surcharge

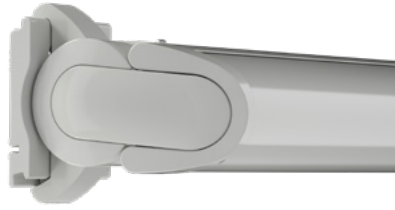
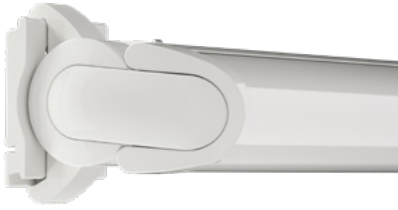
02

traffic white RAL 9016

metallic aluminium RAL 9006

grey brown, similar to RAL 8019

03



04

05

06

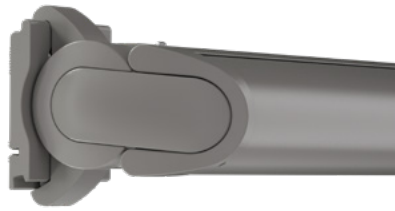
07

off-white textured finish, 5233 ¹⁾

stone grey metallic, 5215 ¹⁾

anthracite metallic, 5204 ¹⁾

08



09

10

11

Havana brown textured finish, 5229 ¹⁾



12

13

14

15

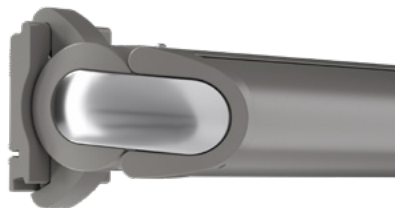
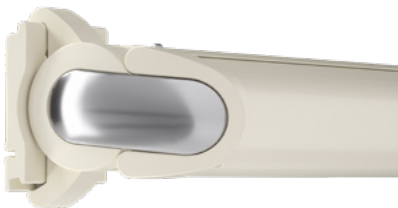
16

17

off-white textured finish, 5233 ¹⁾
end cap insert in polished chrome

stone grey metallic, 5215 ¹⁾
end cap insert in polished chrome

anthracite metallic, 5204 ¹⁾
end cap insert in polished chrome



Combination options – possible in any frame colour.

Non-standard powder-coated finish

Bespoke frame colours at a surcharge – matt, metallic and pearl finishes as well as other colour ranges (DB, Tiger etc.) on request. All frame colours are available at a surcharge with enhanced corrosion protection.

¹⁾ textured finish

Colours may differ slightly from those depicted in both hue and finish.

Dimensions and configuration options


Single unit

		Overall awning width						Minimum width	
		250	300	350	400	450	500	Motor	Crank handle
Order dimensions		179	251	301	351	401	451		
		250	300	350	400	450	500		
H	150	1)						179	179
	200	1)						229	229
	250	—	1)					279	279
	300	—	—	1)				329	329

dimensions in cm

1) = please note the minimum widths!

H = nominal projection

 = 2 standard arms, 2 fixture brackets

Operation	standard	optional
crank handle	✓	—
spring-assisted crank handle	—	✓
hard-wired motor	—	✓
silentec motor (optionally with an external io / RTS receiver) ¹⁾	—	—
radio-controlled motor io, 868 MHz	—	✓
radio-controlled motor RTS, 433 MHz	—	✓
radio-controlled motor RTS, 433 MHz with manual override ¹⁾	—	✓

1) for awnings with a maximum of 2 arms

Coupled Awning
not available

Awning cover	fabric range no.	standard	optional
sunvas	301.. / 309..-315..	✓	—
perla	370 ..	—	✓
sunsilk	324.. / 325.. / 328.. / 369..	✓	—
perla FR	374.. / 375..	—	✓
perfortex	331.. / 332..	—	—
transolair	338..	—	—
vuscreen Alu	317..	—	—
Soltis Perform 92	92-20..	—	—
glass fibre screen	272..	—	—
valance, height 20 cm		—	✓

Shadeplus / drop valance
not available

01	Optional accessories
	folding-arm technology with bionic tendon
02	valance
	wall sealing profile
03	infrared heater 2500 W
04	infrared heater 2500 W with integrated radio-controlled receiver 868 MHz io
05	LED spotline – light bar 110 × 70 mm with 5 W LED spotlights, width 180 cm / 3 spots or 300 cm / 5 spots
06	LED spotline io – light bar 110 × 70 mm with 5 W LED spotlights with integrated dimmable radio-controlled receiver, width 180 cm / 3 spots or 300 cm / 5 spots
07	Halogen spotline – light bar 89 mm × 40 mm with 20 W halogen spotlights, 200 cm / 3 spots or 300 cm / 5 spots
	automatic controls (light, wind, rain)
08	N.B! Important background information can be found in the chapter “Optional Accessories”.

Fixture options	
face fixture bracket 150 mm	71624.
face fixture bracket 300 mm L	70617.
face fixture bracket 300 mm R	70600.
spreader plate A 430 × 160 × 12 mm	75326.
spreader plate B 300 × 400 × 12 mm	75325.
stand-off bracket 80–300 mm	77968.
top fixture bracket 150 mm	71625.
eaves fixture bracket 90 mm, 150 mm plate	71612.
eaves fixture bracket 90 mm, 270 mm plate	71659.
flat plate and angled bracket for eaves fixture, machine finish, 500 mm plate	716620
spreader plate 260 × 60 × 12 mm for eaves fixture bracket	75383.
angled profile for eaves fixture 100 mm × 100 mm machine finish aluminium 793800, undrilled, by the metre (max. 3m)	79380.

09

10
11
12
13
14
15
16
17

No. of brackets | No. of fixing points

		Overall awning width					
		250	300	350	400	450	500
Order dimensions		180	251	301	351	401	451
		250	300	350	400	450	500
BHT		No. of brackets No. of fixing points					
W	15	2 6					
BP		A 2 16 B 2 8					
DA / DE ¹⁾	15	2 8					

If the brackets cannot be positioned in accordance with this table, make sure the actual dimensions are noted on the order form!

1) = for information regarding other fixture options, please refer to the section “Pull-out forces” in the online Mediathek at markiluxpro.com

A = arm position

BHT = bracket width

BP = spreader plate (A or B)

DA = eaves fixture brackets

DE = top fixture brackets

H = *order dimension* = projection

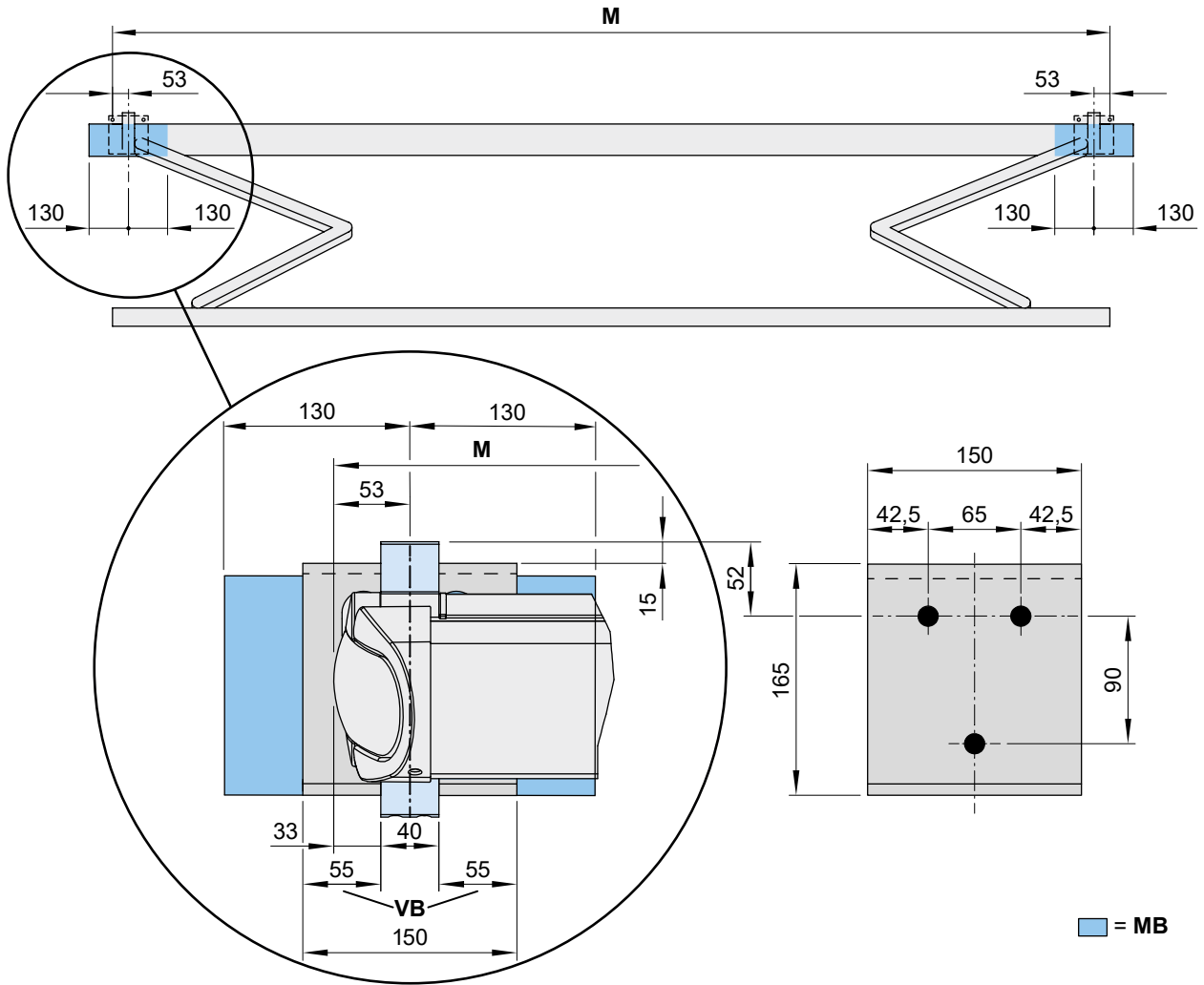
M = *order dimension* = awning width

W = face fixture brackets

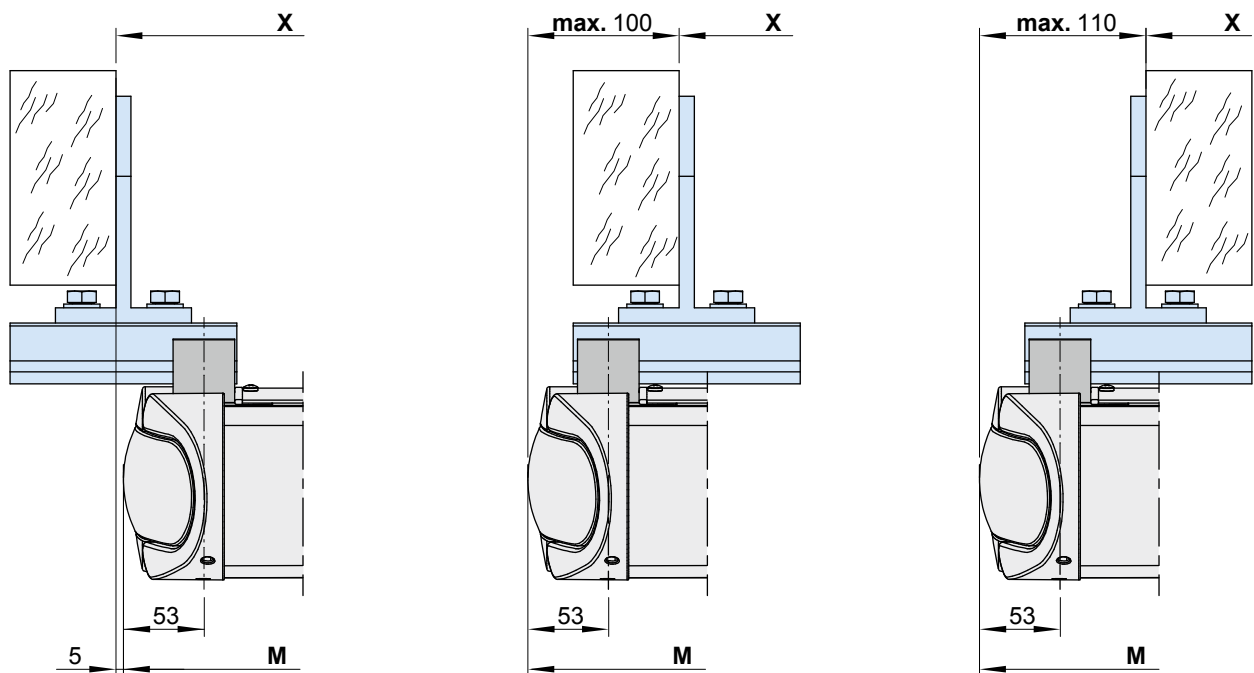
dimensions in cm

Bracket fixture range

Face fixture (top fixture)



Eaves fixture



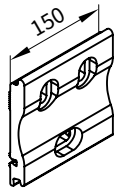
M = order dimension = awning width
MB = bracket fixture range

VB = adjustment range face fixture bracket
X = installation dimensions
 dimensions in mm

01
02
03
04
05
06
07
08
09
10
11
12
13
14
15
16
17

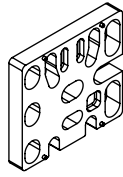
Face fixture

Fixtures, fittings and accessories



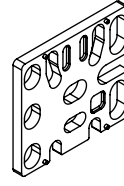
face fixture bracket
150 mm

71624.



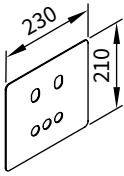
spacer plate for face fixture
150 × 136 × 20 mm
N.B! stack to a max.
height of 200 mm

716331



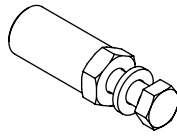
spacer plate for face fixture
150 × 136 × 12 mm

71644.



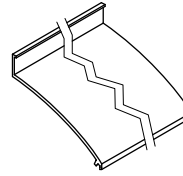
cover plate
for spacer plate
and stand-off brackets
in the case of external
insulation
230 × 210 × 2 mm

71843.



reduction
pack 10 pcs

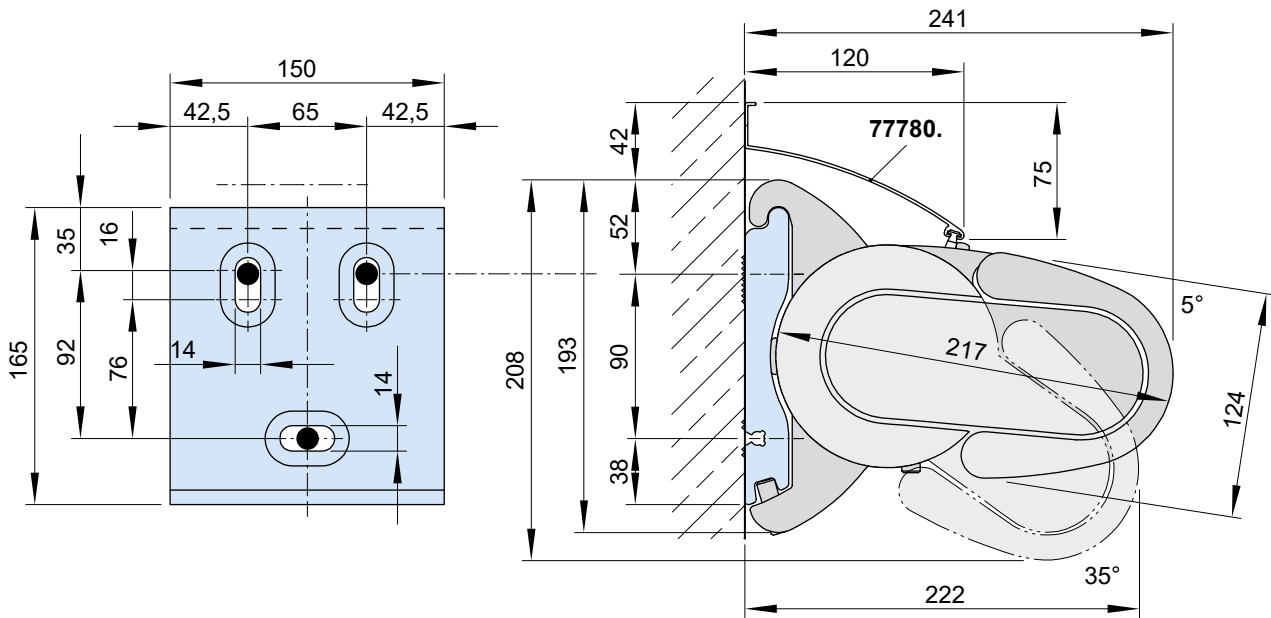
M 16 → M 12 | M 16 → M 10 | M 12 → M 10 | M 10 → M 10



wall sealing profile
available by the metre

77780.

09

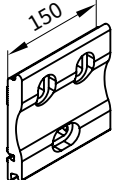


77780. = wall sealing profile for use up to a pitch of 35°.

dimensions in mm

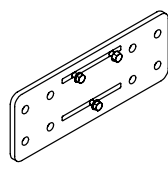
Face fixture with spreader plate A

Fixtures, fittings and accessories



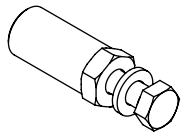
face fixture bracket
150 mm

71624.



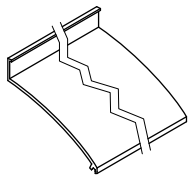
spreader plate A
430 × 160 × 12 mm

75326.



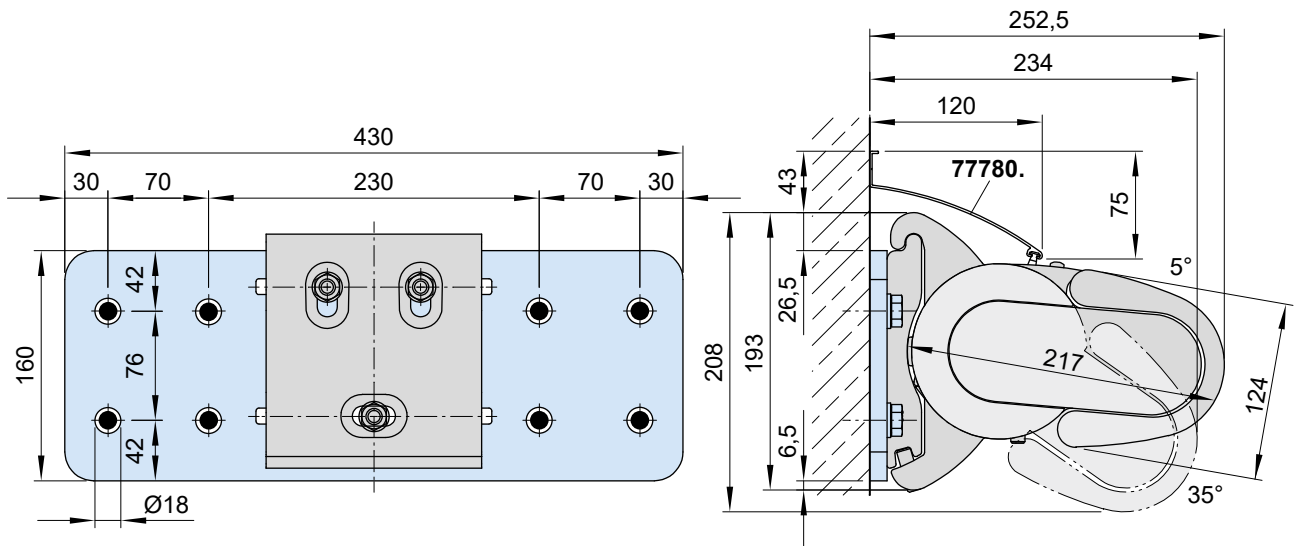
reduction
pack 10 pcs

M 16 → M 12 | M 16 → M 10 | M 12 → M 10 | M 10 → M 10



wall sealing profile
available by the metre

77780.



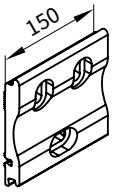
77780. = wall sealing profile for use up to a pitch of 35°.

dimensions in mm

01
02
03
04
05
06
07
08
09
10
11
12
13
14
15
16
17

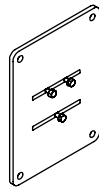
01 **Face fixture with spreader plate B**

02 Fixtures, fittings and accessories



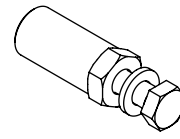
face fixture bracket
150 mm

03 **71624.**



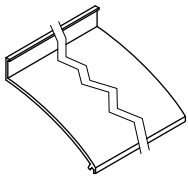
spreader plate B
300 × 400 × 12 mm

04 **75325.**



reduction
pack 10 pcs

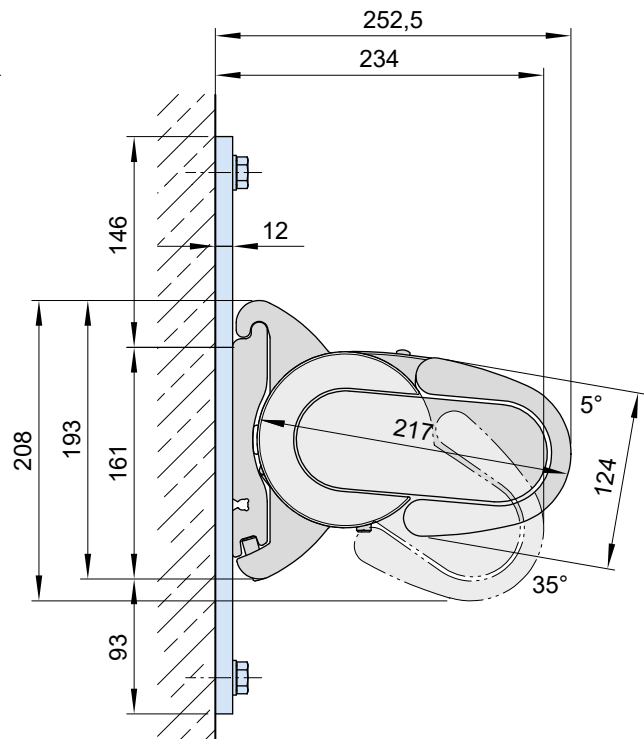
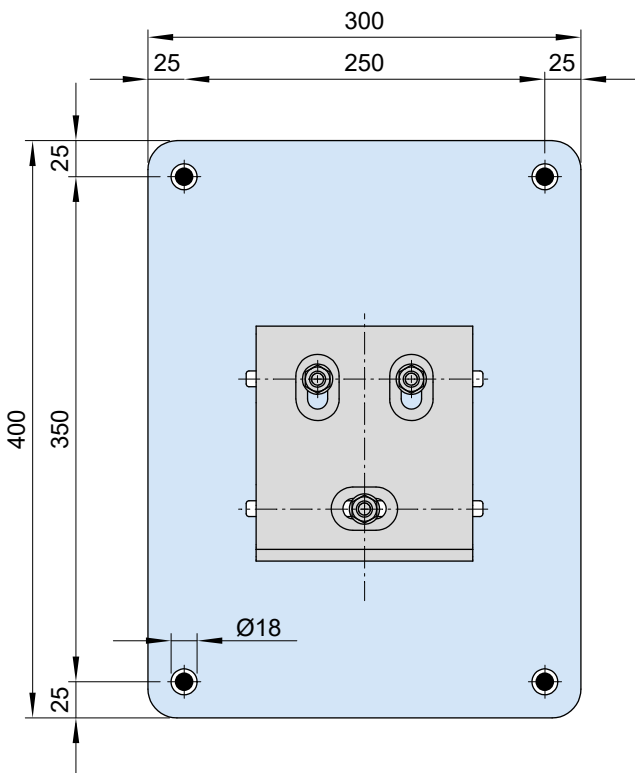
05 M 16 → M 12 | M 16 → M 10 | M 12 → M 10 | M 10 → M 10



06 wall sealing profile
07 available by the metre

08 **77780.**

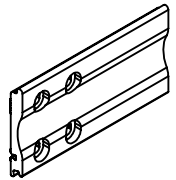
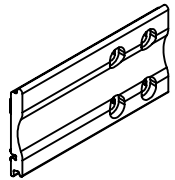
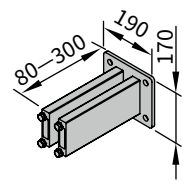
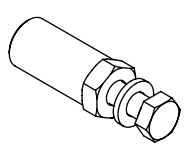
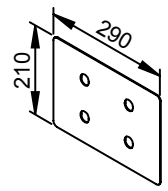
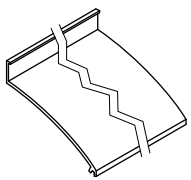
09

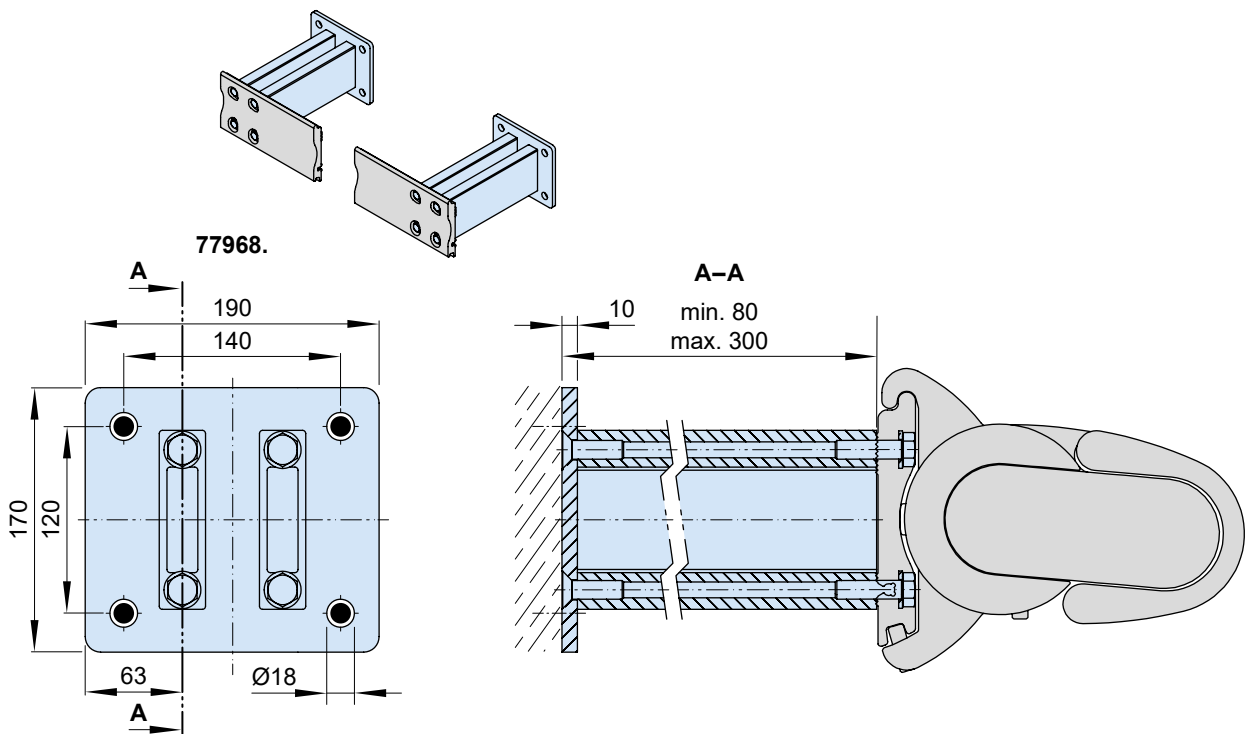


dimensions in mm

Face fixture with spacer bracket

Fixtures, fittings and accessories

 <p>face fixture bracket left 300 mm</p> <p>70617.</p>	 <p>face fixture bracket right 300 mm</p> <p>70600.</p>	 <p>stand-off bracket for face-fixture bracket 70617. and 70600.</p> <p>77968.</p>
 <p>reduction pack 10 pcs</p> <p>M 16 → M 12 M 16 → M 10 M 12 → M 10 M 10 → M 10</p>	 <p>cover plate for spacer plate and stand-off brackets in the case of external insulation</p> <p>290 × 210 × 2 mm</p> <p>71841.</p>	 <p>wall sealing profile available by the metre</p> <p>77780.</p>

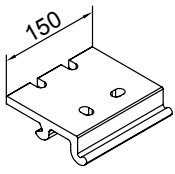


dimensions in mm

01
02
03
04
05
06
07
08
09
10
11
12
13
14
15
16
17

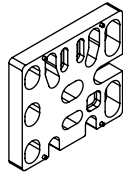
01 **Top fixture**

02 Fixtures, fittings and accessories



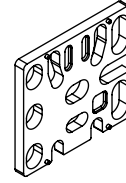
top fixture brackets
150 mm

71625.



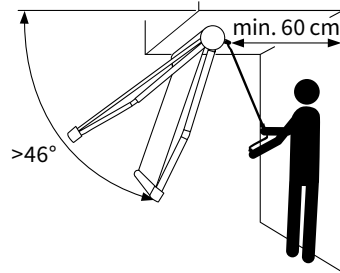
spacer plate for top fixture
150 × 136 × 20 mm
N.B! stack to a max.
height of 200 mm

716331



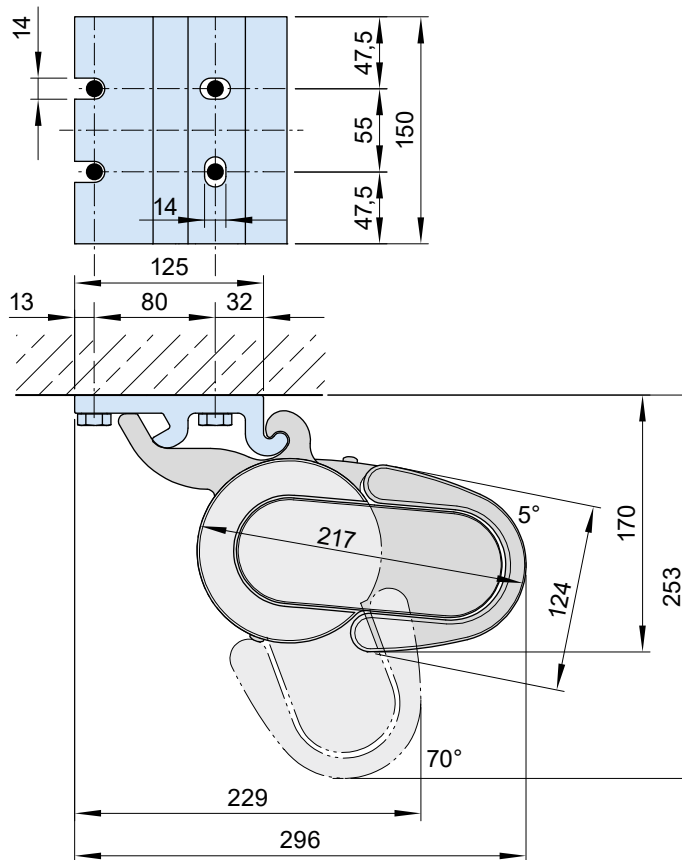
spacer plate for top fixture
150 × 136 × 12 mm

71644.



At a pitch of more than 46° to the horizontal there must be an area accessible behind the awning at least 60 cm deep to allow operation of an RTS motor with manual override.

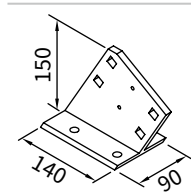
09



dimensions in mm

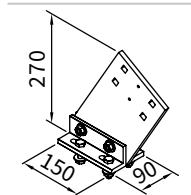
Eaves fixture

Fixtures, fittings and accessories



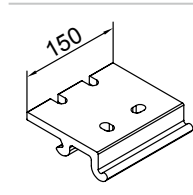
eaves fixture bracket
150 mm plate

71612.



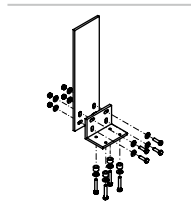
eaves fixture bracket
270 mm plate

71659.



top fixture bracket
150 mm

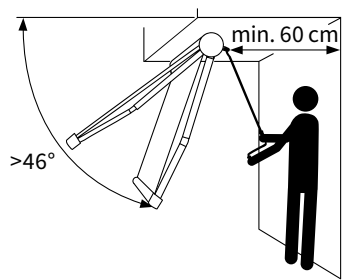
71625.



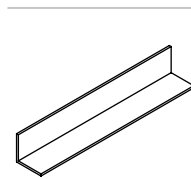
flat plate and
angle bracket
for eaves fixture

machine finish

716620



At a pitch of more than 46° to the horizontal there must be an area accessible behind the awning at least 60 cm deep to allow operation of an RTS motor with manual override.



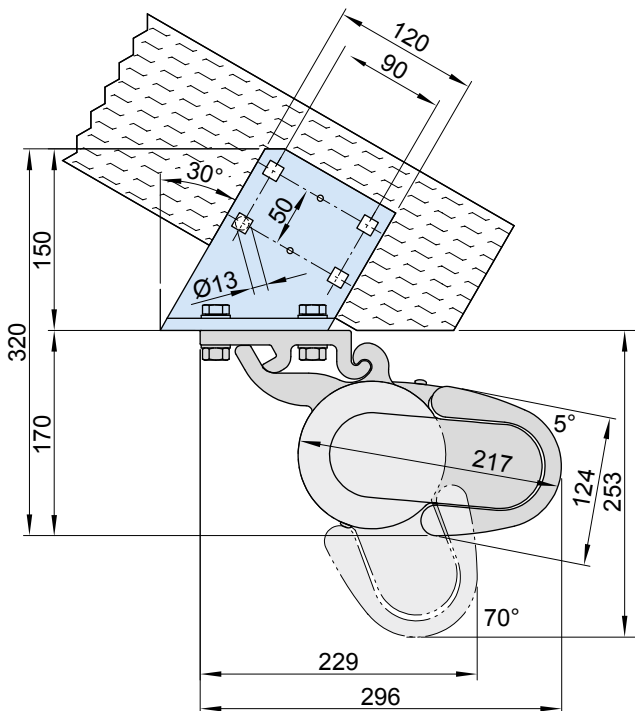
angled profile
eaves fixture bracket

100×100 mm

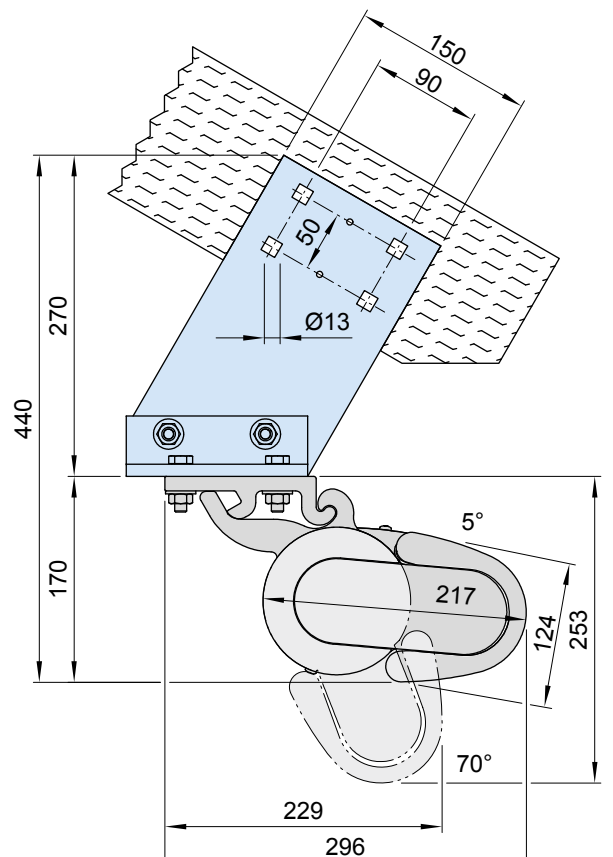
machine finish aluminium
793800, undrilled, by the
metre (max. 3m)

79380.

With eaves fixture bracket 150 mm (71612.)



With eaves fixture bracket 270 mm (71659.)

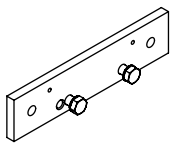


dimensions in mm

01
02
03
04
05
06
07
08
09
10
11
12
13
14
15
16
17

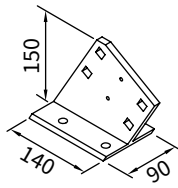
Eaves fixture with additional plate

Fixtures, fittings and accessories



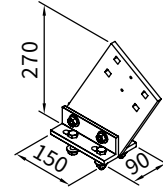
supplementary flat plate eaves fixture
260 × 60 × 12 mm

75383.



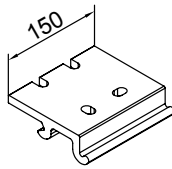
eaves fixture bracket
150 mm plate

71612.



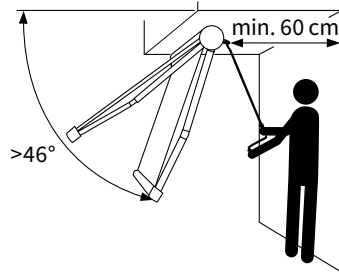
eaves fixture bracket
270 mm plate

71659.



top fixture bracket
150 mm

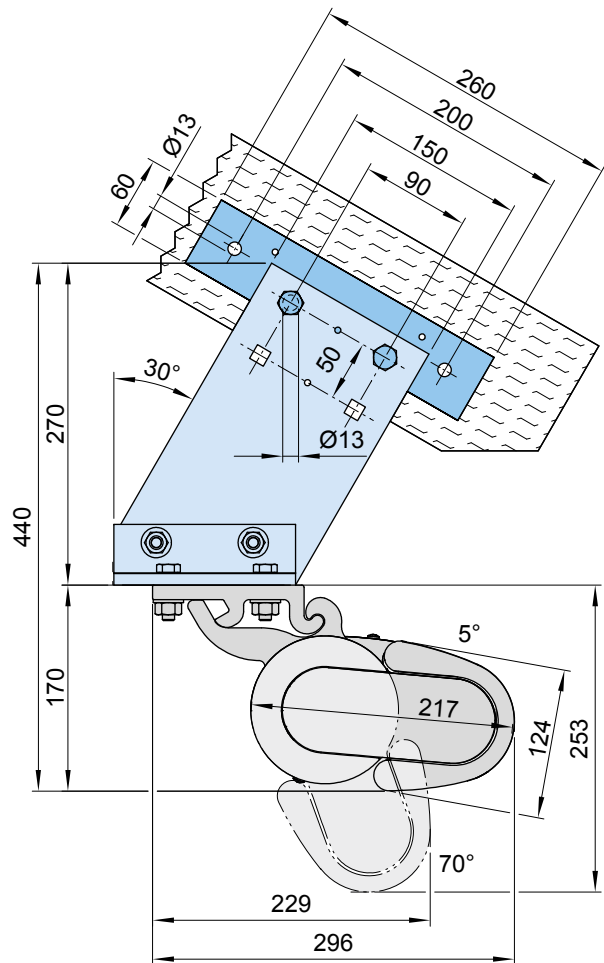
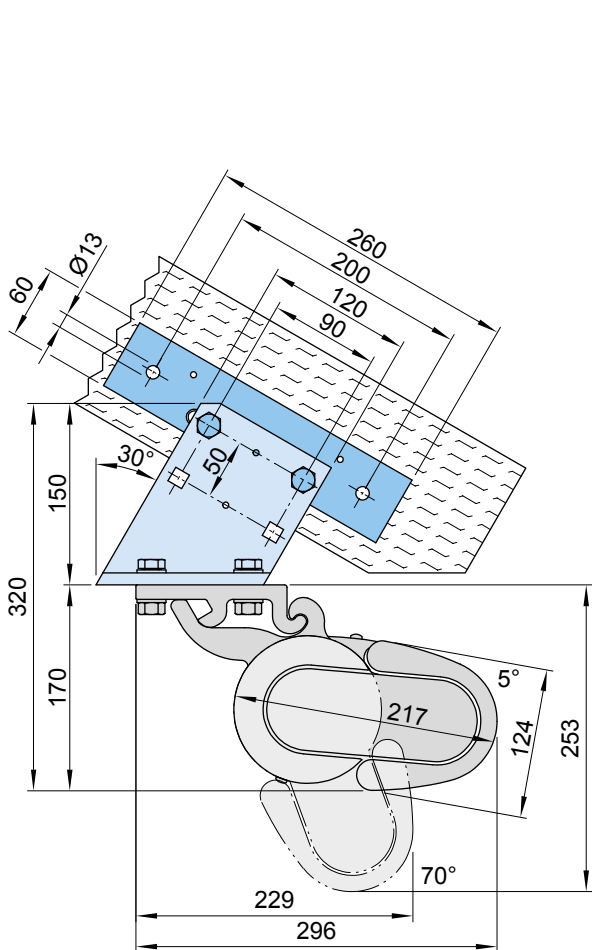
71625.



At a pitch of more than 46° to the horizontal there must be an area accessible behind the awning at least 60 cm deep to allow operation of an RTS motor with manual override.

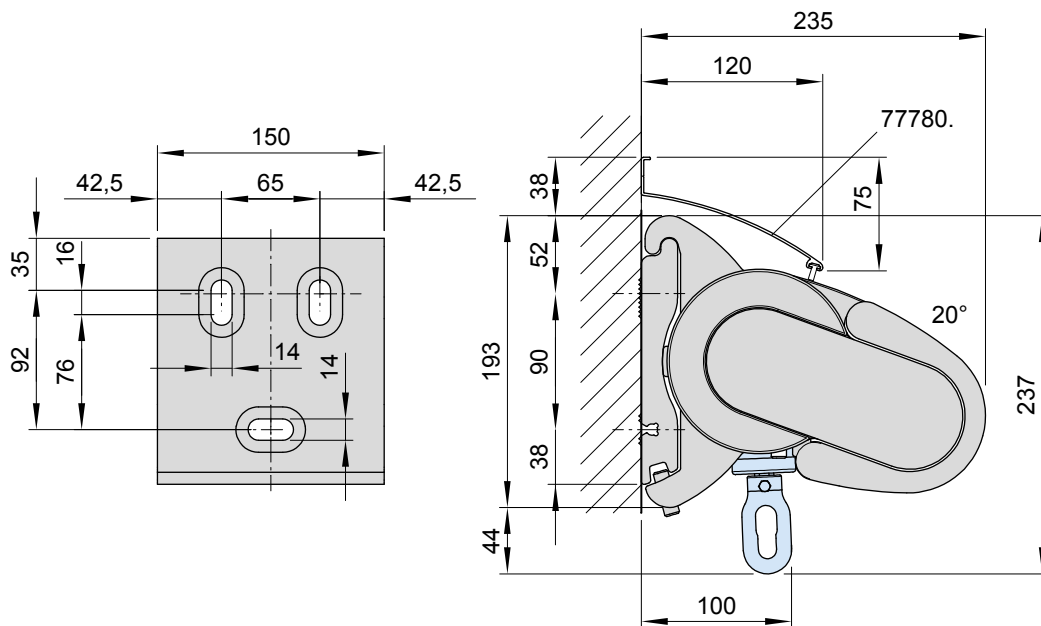
With eaves fixture bracket, 150 mm plate (71612.)

With eaves fixture bracket, 270 mm plate (71659.)

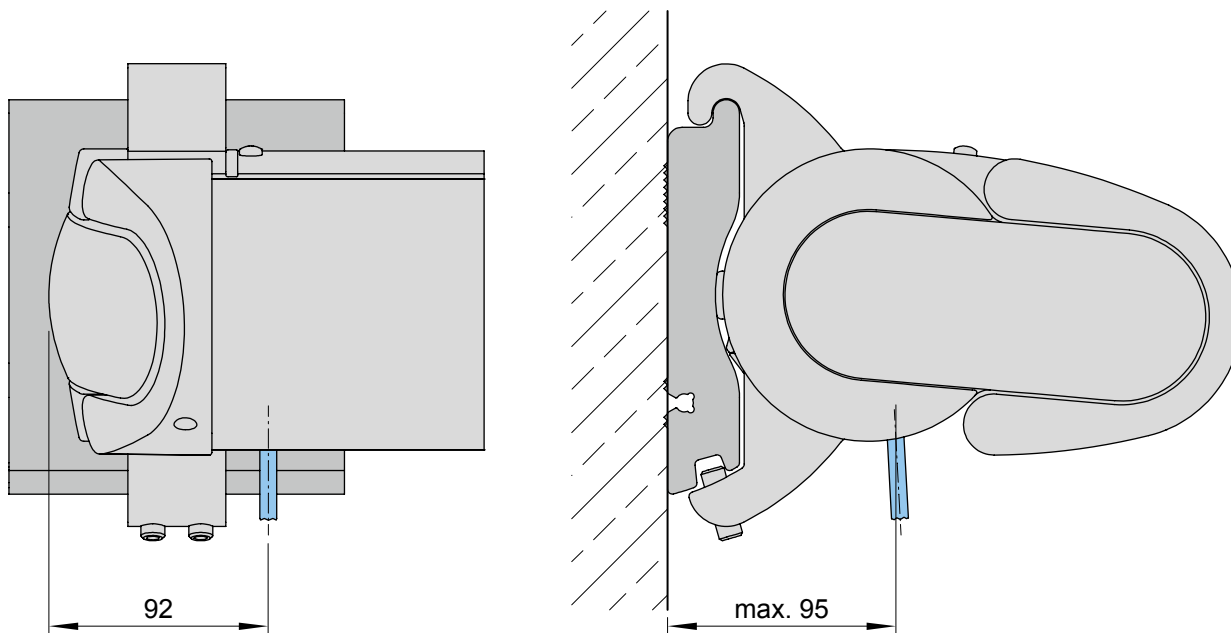


dimensions in mm

Face fixture, manual operation



Motor cable exit point



dimensions in mm

01
02
03
04
05
06
07
08
09
10
11
12
13
14
15
16
17

01 Face fixture, radio-controlled motor with manual override

02

03

04

05

06

07

08

09

10

11

12

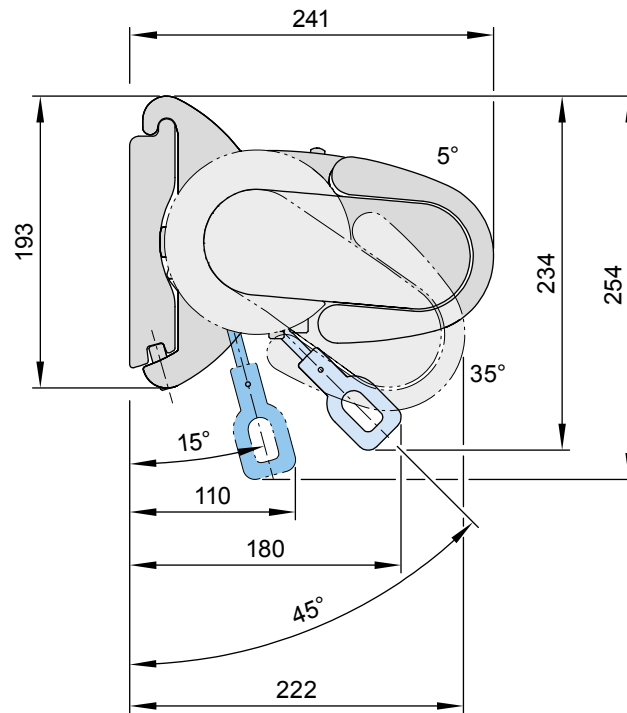
13

14

15

16

17



dimensions in mm